

Spill Safe Drum Caddy



- SAFE DRUM STORAGE
- EASY ACCESS
- SPILLAGE CATCH RESERVOIR
- PORTABLE

LOBESTAR® SHEAR/MIXER

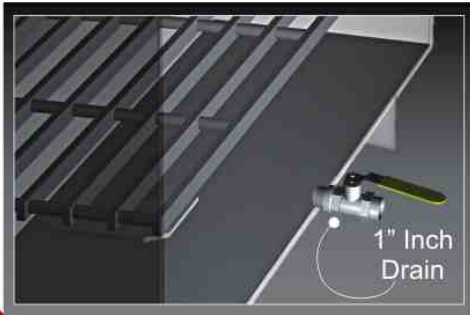


Fiberglass Grating

Containment Chain



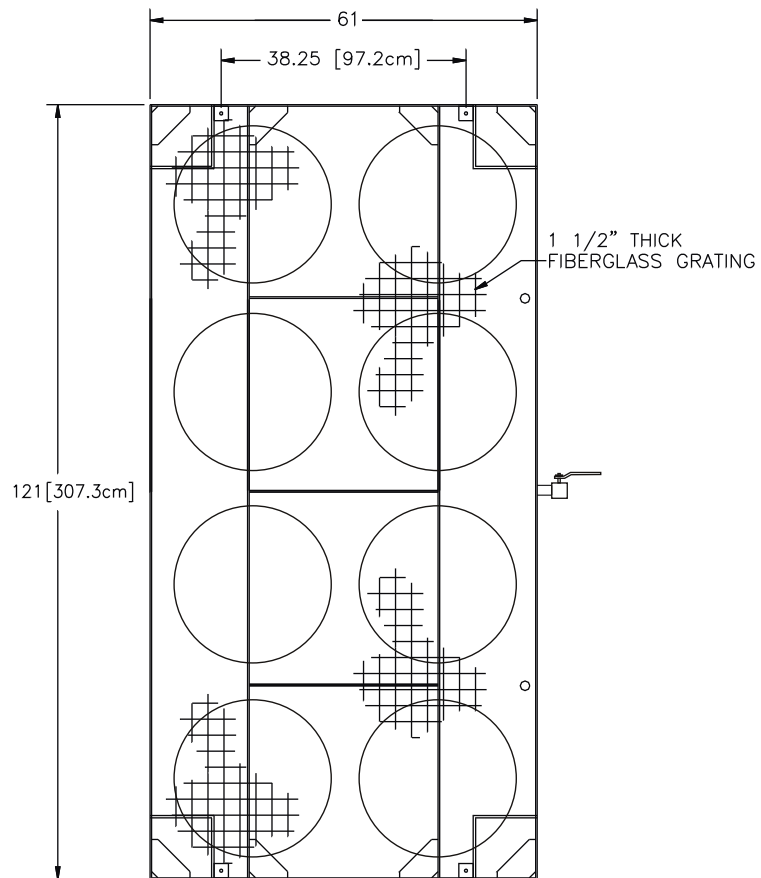
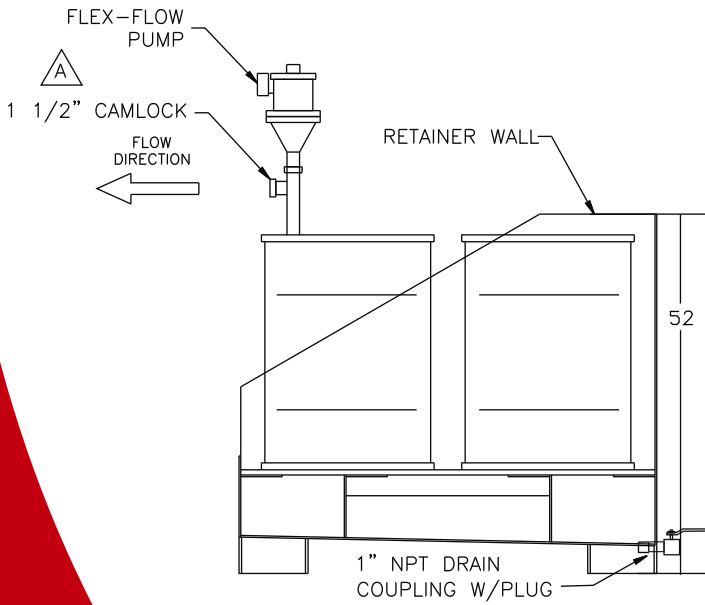
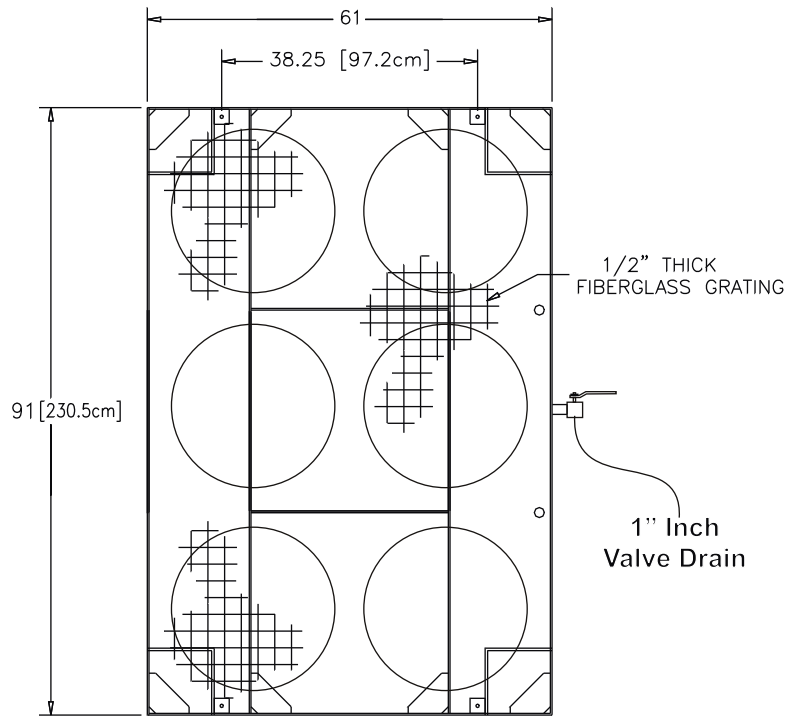
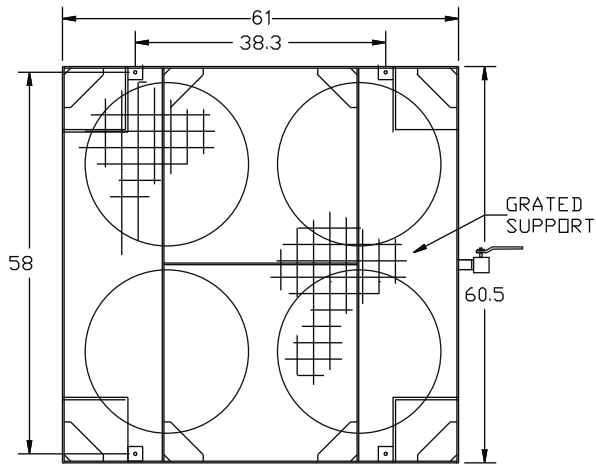
Flexflow Pump



1" Inch Drain

Cut - Away Showing Spill Catch Reservoir

Spill Safe Drum Caddy



DRUM CADDY DIMENSIONS & WEIGHTS

MODEL NO.	WIDTH IN/CM	LENGTH IN/CM	HEIGHT IN/CM	NET WEIGHT IBS/KG
DC-2	32/81	32/81	52/132	625/284
DC-4	61/154	58/147	52/132	1150/522
DC-6	61/154	91/231	52/132	1700/773
DC-8	61/154	121/307	52/132	2100/955