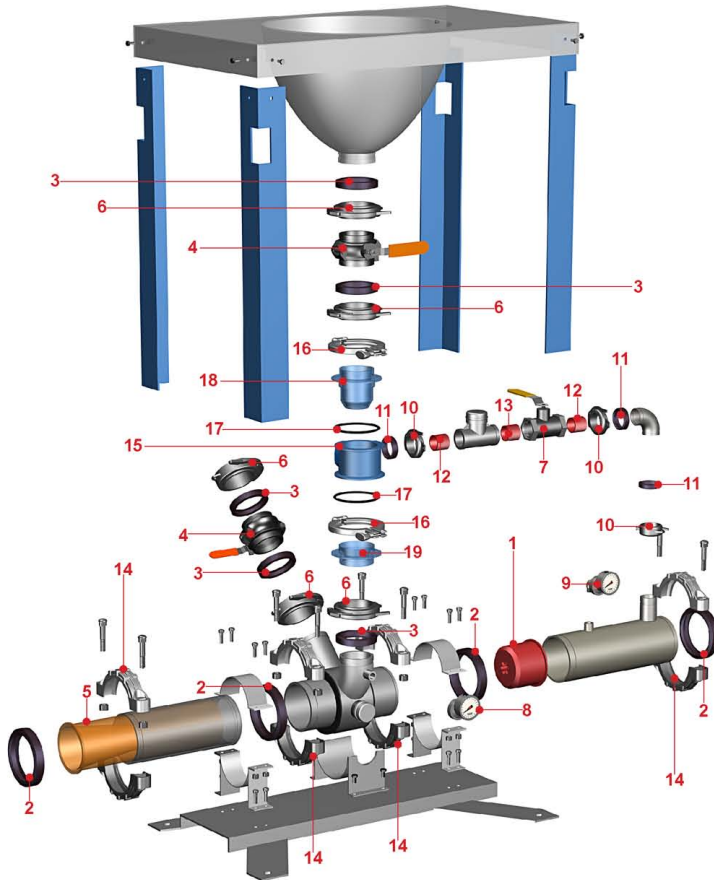


Lobestar® Shear/Mixer, Dual Suction



SMK-6SD-M3 Quick Tune Up Kit - 6" Shear/Mixer - Dual Suction (18.5 pounds)

Item	Part Number	Item Description	Quantity	U/M
1	E-U-6A	NOZZLE, 6" LOBESTAR NOZZLE 2.00" ORIFICE	1	EA
2	VG-T6	GASKET, 6" VIC Gasket	4	EA
3	VG-T4	GASKET, 4" VIC Gasket	2	EA
4	VT-BF-4-300-M1	VLV BFLY 4" VIC SERIES 300 W/ INDEX HNDL	1	EA

SMK-6SD-M2 Tune Up Kit - 6" Shear/Mixer - Dual Suction (53.0 pounds)

Item	Part Number	Item Description	Quantity	U/M
1	E-U-6A	NOZZLE, 6" LOBESTAR NOZZLE 2.00" ORIFICE	1	EA
2	VG-T6	GASKET, 6" VIC Gasket	4	EA
3	VG-T4	GASKET, 4" VIC Gasket	5	EA
4	VT-BF-4-300-M1	VLV BFLY 4" VIC SERIES 300 W/ INDEX HNDL	2	EA
5	ED-6	DIFFUSER, 6" VORTEX URETHANE	1	EA
6	GC-4SS	COUPLING 4" GRV 316 SS	2	EA
7	V V-BV-2(G)	VLV BALL ASSY 2" NPT SS 2.5 lbs.	1	EA
8	0-30-LF	GAUGE, VACUUM 0-30 PSI Vacuum Gauge	1	EA
9	0-100-LF	GAUGE, PRESSURE 0-100 PSI Liquid Filled	1	EA

SMK-6SD-M1* Overhaul Kit - 6" Shear/Mixer - Dual Suction (130 pounds)**

Item	Part Number	Item Description	Quantity	U/M
1	E-U-6A	NOZZLE, 6" LOBESTAR NOZZLE 2.00" ORIFICE	1	EA
2	VG-T6	GASKET, 6" VIC Gasket	3	EA
3	VG-T4	GASKET, 4" VIC Gasket	4	EA
4	VT-BF-4-300-M1	VLV BFLY 4" VIC SERIES 300 W/ INDEX HNDL	2	EA
5	ED-6	DIFFUSER, 6" VORTEX URETHANE	1	EA
6	GC-4SS	COUPLING 4" GRV 316 SS	3	EA
7	V V-BV-2(G)	VLV BALL ASSY 2" NPT SS 2.5 lbs.	1	EA
8	0-30-LF	GAUGE, VACUUM 0-30 PSI Vacuum Gauge	1	EA
9	0-100-LF	GAUGE, PRESSURE 0-100 PSI Liquid Filled	1	EA
10	GC-2SS	COUPLING 2" GRV 316 SS	3	EA
11	VG-T2	GASKET, 2" VIC Gasket	2	EA
12	NIPPLE-GXT-2X2SCH80	NIPPLE, GRV X NPT, 2" X 2" S80 - 304SS	2	EA
13	NIPPLE-TXT-2X2.5	NIPPLE, NPT X NPT, 2" X 2.5" 304 SS	2	EA
14	GC-6SB	COUPLING 6" GRV 316 SS BOLTED	5	EA
15	PMB-6-U	BODY, PREMIXER TANGENTIAL 6" URETHANE	1	EA
16	TRICLAMP-SS-6	TRICLAMP 6" SS	2	EA
17	GSK-TC-6	GASKET, 6" BUNA TRI-CLAMP	4	EA
18	TMI-I-4	NOZZLE, 4" TANGENTIAL INNER (ANNULAR) for PREMIXER	1	EA
19	TMN-O-4	NOZZLE, 4" OUTER URETHANE For PREMIXER	1	EA