

Lobestar® Shear/Mixer, Single Suction

SMK-6-M3

Quick Tune Up Kit - 6" Shear/Mixer - Single Suction (4.5 pounds)

| Item | Part Number | Item Description | Quantity | U/M |
|------|-------------|--|----------|-----|
| 1 | E-U-6A | NOZZLE, 6" LOBESTAR NOZZLE 2.00" ORIFICE | 1 | EA |
| 2 | VG-T6 | GASKET, 6" VIC Gasket | 5 | EA |

SMK-6-M2

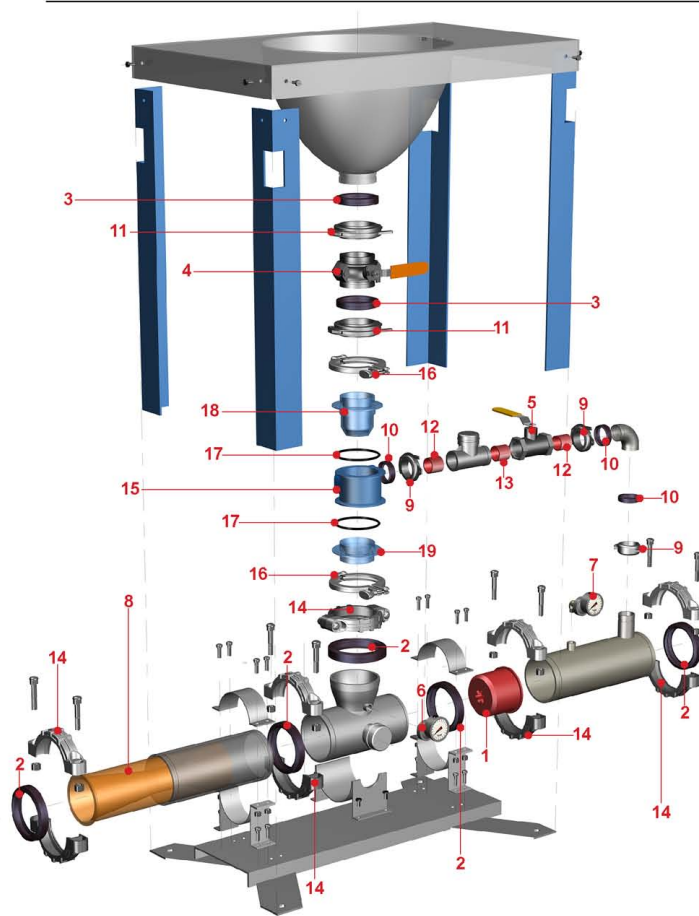
Tune Up Kit - 6" Shear/Mixer - Single Suction (40.0 pounds)

| Item | Part Number | Item Description | Quantity | U/M |
|------|----------------|--|----------|-----|
| 1 | E-U-6A | NOZZLE, 6" LOBESTAR NOZZLE 2.00" ORIFICE | 1 | EA |
| 2 | VG-T6 | GASKET, 6" VIC Gasket | 5 | EA |
| 3 | VG-T4 | GASKET, 4" VIC Gasket | 2 | EA |
| 4 | VT-BF-4-300-M1 | VLV BFLY 4" VIC SERIES 300 W/ INDEX HNDL | 1 | EA |
| 5 | V V-BV-2(G) | VLV BALL ASSY 2" NPT SS 2.5 lbs. | 1 | EA |
| 6 | 0-30-LF | GAUGE, VACUUM 0-30 PSI Vacuum Gauge | 1 | EA |
| 7 | 0-100-LF | GAUGE, PRESSURE 0-100 PSI Liquid Filled | 1 | EA |
| 8 | ED-6 | DIFFUSER, 6" VORTEX URETHANE | 1 | EA |

SMK-6-M1***

Overhaul Kit - 6" Shear/Mixer - Single Suction (130 pounds)

| Item | Part Number | Item Description | Quantity | U/M |
|------|---------------------|--|----------|-----|
| 1 | E-U-6A | NOZZLE, 6" LOBESTAR NOZZLE 2.00" ORIFICE | 1 | EA |
| 2 | VG-T6 | GASKET, 6" VIC Gasket | 3 | EA |
| 3 | VG-T4 | GASKET, 4" VIC Gasket | 2 | EA |
| 4 | VT-BF-4-300-M1 | VLV BFLY 4" VIC SERIES 300 W/ INDEX HNDL | 1 | EA |
| 5 | V V-BV-2(G) | VLV BALL ASSY 2" NPT SS 2.5 lbs. | 1 | EA |
| 6 | 0-30-LF | GAUGE, VACUUM 0-30 PSI Vacuum Gauge | 1 | EA |
| 7 | 0-100-LF | GAUGE, PRESSURE 0-100 PSI Liquid Filled | 1 | EA |
| 8 | ED-6 | DIFFUSER, 6" VORTEX URETHANE | 1 | EA |
| 9 | GC-2SS | COUPLING 2" GRV 316 SS | 3 | EA |
| 10 | VG-T2 | GASKET, 2" VIC Gasket | 2 | EA |
| 11 | GC-4SS | COUPLING 4" GRV 316 SS | 2 | EA |
| 12 | NIPPLE-GXT-2K2SCH80 | NIPPLE, GRV X NPT, 2" X 2" S80 - 304SS | 2 | EA |
| 13 | NIPPLE-TXT-2X2 | NIPPLE, NPT X NPT, 2" X 2" 304 SS | 2 | EA |
| 14 | GC-6SB | COUPLING 6" GRV 316 SS BOLTED | 5 | EA |
| 15 | PMB-6-U | BODY, PREMIXER TANGENTIAL 6" URETHANE | 1 | EA |
| 16 | TRICLMP-SS-6 | TRICLAMP 6" SS | 2 | EA |
| 17 | GSK-TC-6 | GASKET, 6" BUNA TRI-CLAMP | 4 | EA |
| 18 | TMI-I-4 | NOZZLE, 4" TANGENTIAL INNER (ANNULAR) For PREMIXER | 1 | EA |
| 19 | TMN-O-6*** | NOZZLE, 6" OUTER URETHANE For PREMIXER | 1 | EA |
| | TMN-O-4*** | NOZZLE, 4" OUTER URETHANE For PREMIXER | | |



***SMK-6-M1-6 uses TMN-O-6

***SMK-6-M1-4 uses TMN-O-4

***Please Verify type of connection (4" or 6") of Premixer bottom to Eductor to determine which overhaul kit to order.