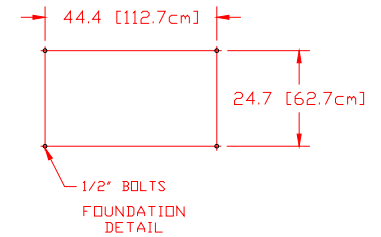
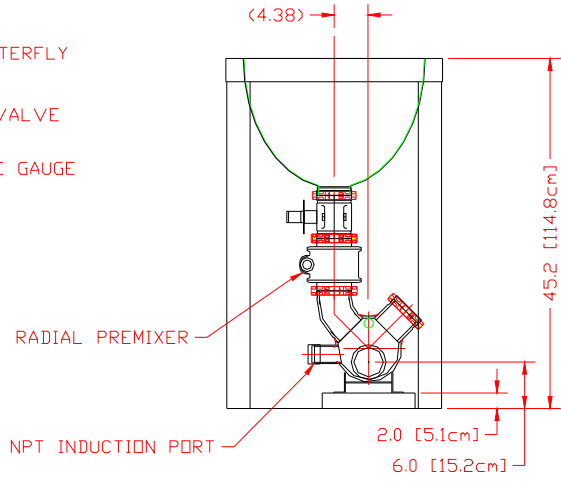
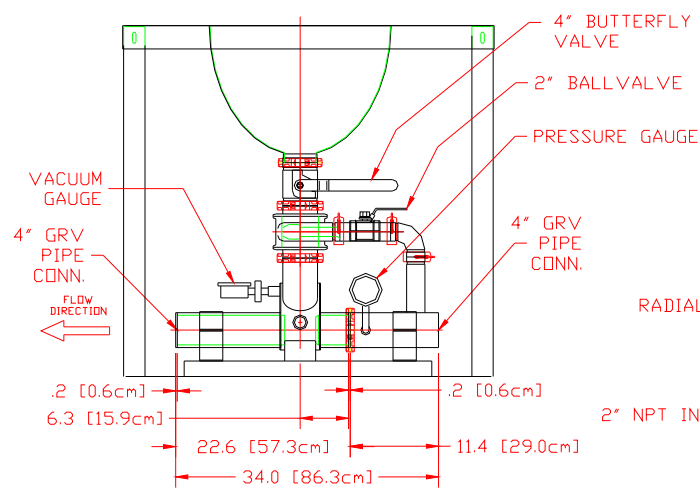
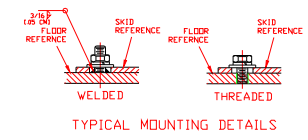
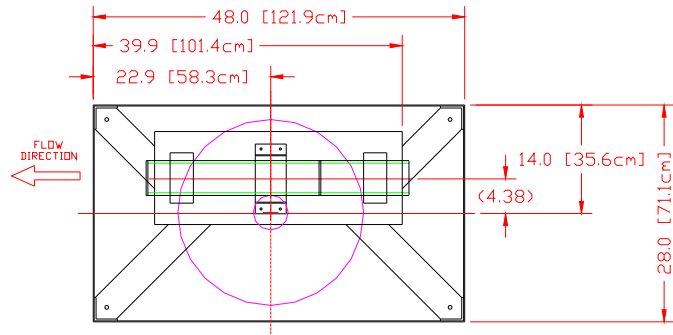


DATE	REV
07/15/03	A



2. CofG FROM DATUMS:
 A=22.8 B=14.3 C=13.8
 [57.9cm] [36.3cm] [35.1cm]
 NOTE: 1. FOR FAB SEE DWG 05140100.

Drawn By: SAR	Date: 05/04/01	Chk'd:	Date:	Material: SEE QUOTATION	EST WGT: 375 lbs
6950 Portwest Drive #100 Houston, TX. 77024 www.vortexventures.com Phone: 713-869-2593 Fax: 713-869-2596		Title: 4" DUAL SUCTION SHEAR/MIXER GENERAL ARRANGEMENT Page 1 of 1		Copyright 2002 This drawing is not to be reproduced or modified in any way without expressed written consent from W.G. Lott-Vortex Ventures, Inc. Drawing No. VVEU-4S/D-M1A	